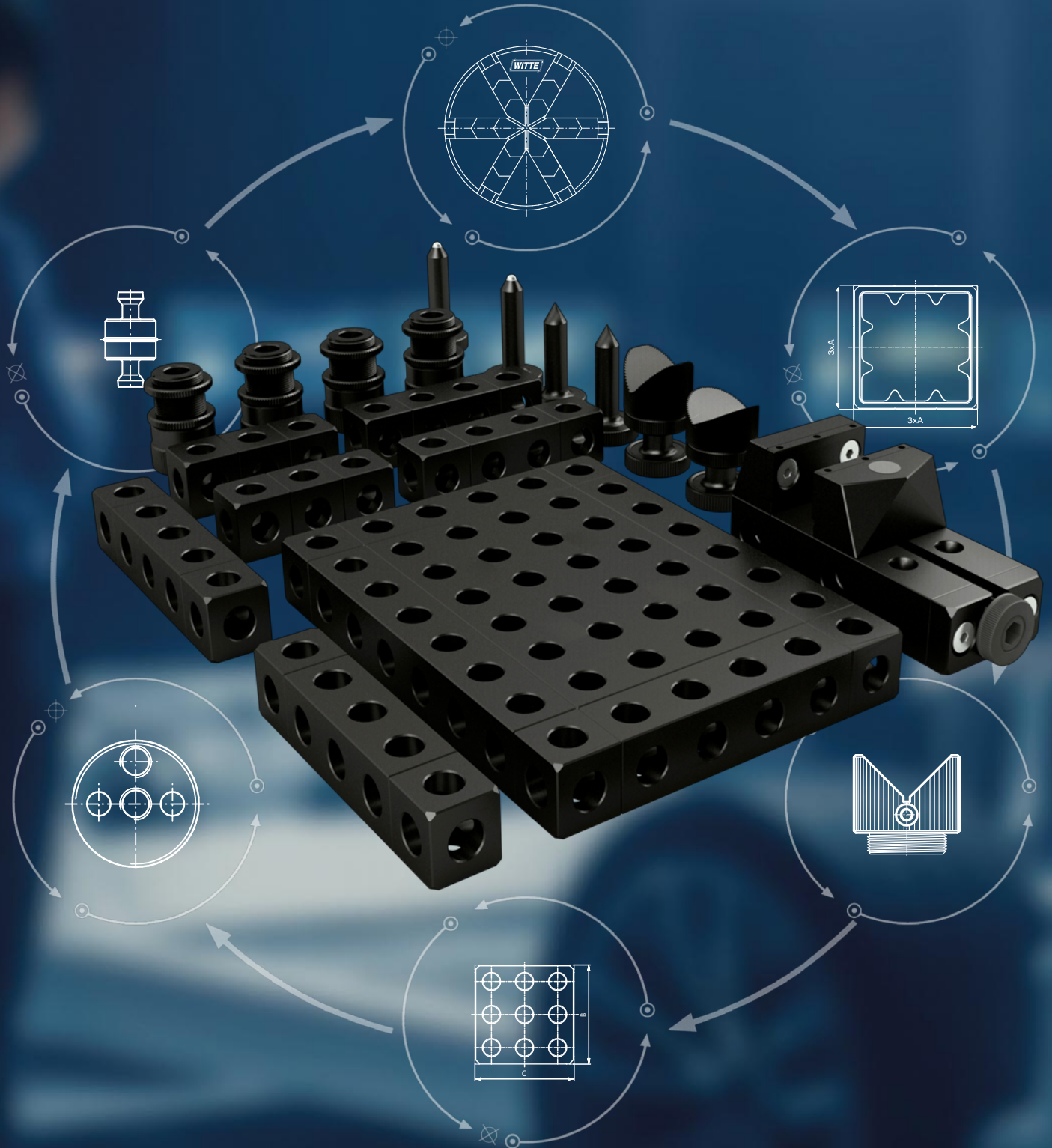


ALUFIX

Modular Fixturing Systems



Basic kits 2022



Witte Barskamp: Fixed on precision



Founded in 1969 as a manufacturing partner for high-precision components in the aerospace industry, Witte Barskamp KG is today one of the leading international developers and manufacturers of modular fixturing, positioning and measuring devices as well as feeder systems. With the ALUFIX modular fixturing system and versatile vacuum clamping systems, Witte is considered the global market leader.

Subsidiaries in Singapore, Mexico, USA and Brazil as well as the vast professional representation partner network across the globe ensure access to Witte products and services worldwide.

Almost all major companies in the automotive and aerospace industries rely on products and application solutions from Witte. Additionally, the products and solutions find applications in a wide range of industries including, measuring, medical technology, as well as in all other industries in which dimensional quality monitoring and precision plays a decisive role.

In the past 50 years Witte has accumulated more than 250 patents, registered designs and wordmarks of which 70 are still current and active today. Many of them for ALUFIX – the market recognized brand for high precision, durable, modular fixturing.

Contents

Page	Item
2	Starter Kits A - G ALUFIX Classic
4	Starter Set with extensions
5	Basic Set AF 16 75 pieces
6	Basic Set 1 AF25 67 pieces
7	Basic Set 2 AF25 103 pieces
8	Basic Set 3 AF25 105 pieces
9	Basic Set 4 AF25 228 pieces
10	Basic Set 5 AF25 344 pieces
11	Basic Set 6 AF25 372 pieces
12	Basic Set 7 AF25 436 pieces
13	Basic Set 9 AF25 594 pieces
14	Extension Set 1 & 2 AF25 157 / 203 pieces
15	Extension Set 3 AF25 309 pieces
16	Storage items Trolleys

ALUFIX

Basic Kits

Starter-Kits, optimal selection of basic modular elements and accessories



Starter-Kit A

#83131-1 Screw clamp
with ball joint, foot plate and extension, 371g

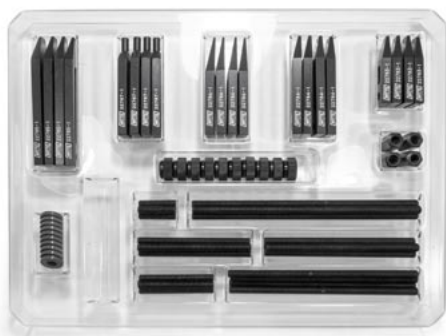
- max clamping width 25 mm
- extension 100 mm



Starter-Kit B

#83132-1 Screw clamp
with ball joint, swivel arm and footplate, 936g

- max clamping width 50 mm
- arm length 280 mm (2x140)
- hydraulic central clamping
- workpiece can be fixed in any positionn



Starter-Kit C

#81020-1 Clamping element set
M6, 69 Pcs., 650g

- Comprising:
- 20 clamps in different shapes and lengths from 45 to 85mm
 - 24 threaded rods M6 in 6 lengths from 25 to 150mm
 - 4 coupling nuts, 10 knurled nuts and 10 washers



Starter-Kit D

#83134-1 Hold down spring
and hold down stud with M6 thread, 40g

- Comprising:
- Hold down spring L=60mm
 - Hold down stud L=60mm (other length on request)
 - One reducer sleeve each with thread M8, M10 und M12

Starter-Kit E

#83135-1 Vise
with pins, jaw width 50 mm, 810g

- high tensile aluminium
- exchangeable jaws
- clamping width 65 mm



Starter-Kit F

#82080-1 Keyless chuck
with reversible jaws and pins,
D80, 368g

- high tensile aluminium
- centric clamping
- diameter 80mm
- 3 jaw version



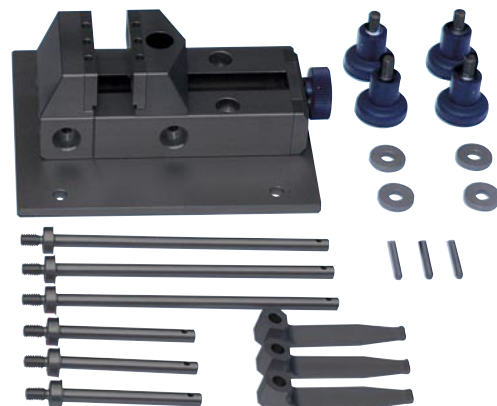
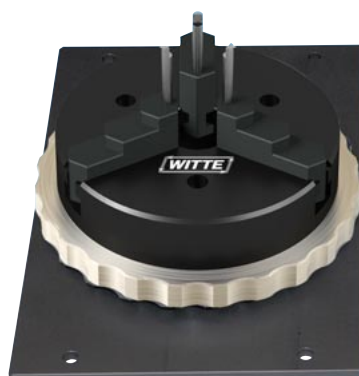
STARTER KIT G

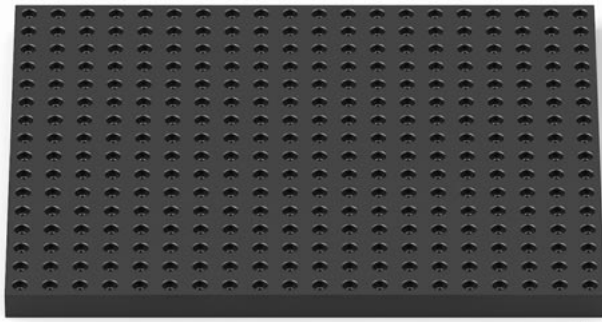
#96092-1 Basic Set
Clamp accessory kit for measuring machines
(23-pcs), 9,8 kg

Nr.	Qty.	Name
96106-1	1	Keyless chuck \varnothing 125, 3 jaws
96107-1	1	Vise 50 AF25
24605-1	3	Pin for vise AF25
22258-1	3	Hod down spring
54766-1	3	Hold down stud AF25
54767-1	3	Hold down stud AF25
13086	4	Screw with knurled grip
21286-1	4	Washer \varnothing 6,4
96315	1	Storage box with inlay



Keyless chuck and vise mounted on aluminium plate





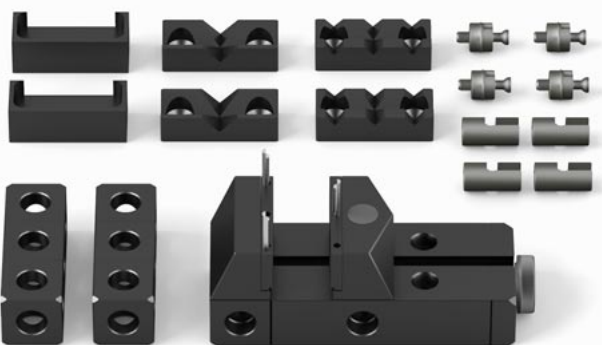
294408-1 Starter-Set ALUFIX 25, 46-pcs.

Nr.	Pcs.	Name
124676-1	1	Grid Base Plate 400x500mm
82033-1	4	Screw-jack
21667-1	4	Cap for screw-jack
285204-1	3	x-y-Stop for screw-jack
85232-1	3	Clamping plate
11432-51	3	Socket head screw M6x25
22772	2	Washer
22263-1	4	Hold down stud
22268-1	4	Traverse holder with heel
22258-1	4	Hold down spring
80600	4	Fixing disk with stud shoulder
81493-1	1	Tools (10 pcs.)



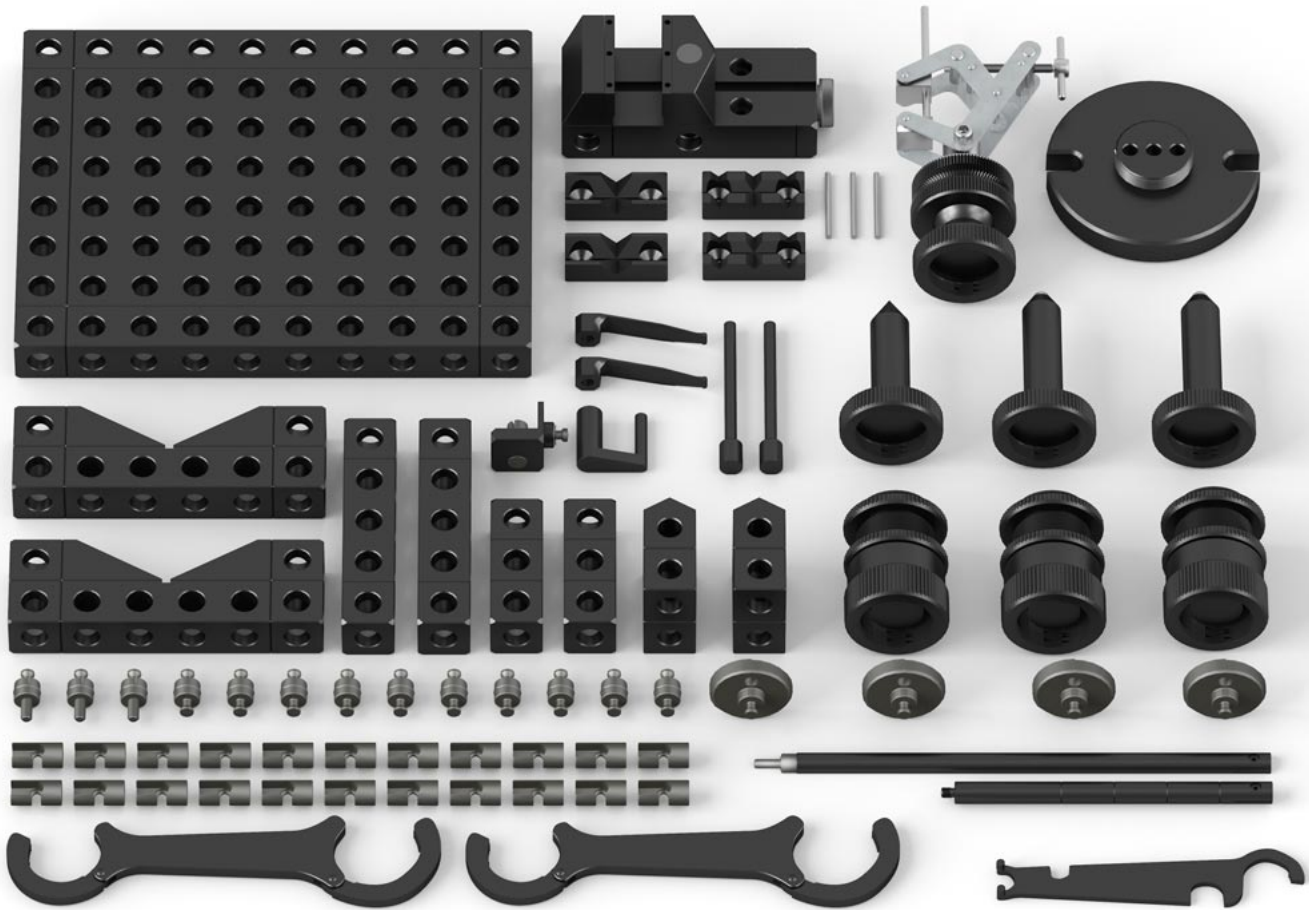
#294409-1 Extension for cylindrical parts ALUFIX 25, 26-pcs.

Nr.	Pcs.	Name
22253-1	4	Deltablock 120°
82125-1A	1	3 Jaw Keyless Chuck
21374-1	2	Bar 25x25x75
25743	8	Combi-Bolt
23240	8	Lock ALUFIX



#294410-1 Extension for square parts ALUFIX 25, 20-pcs.

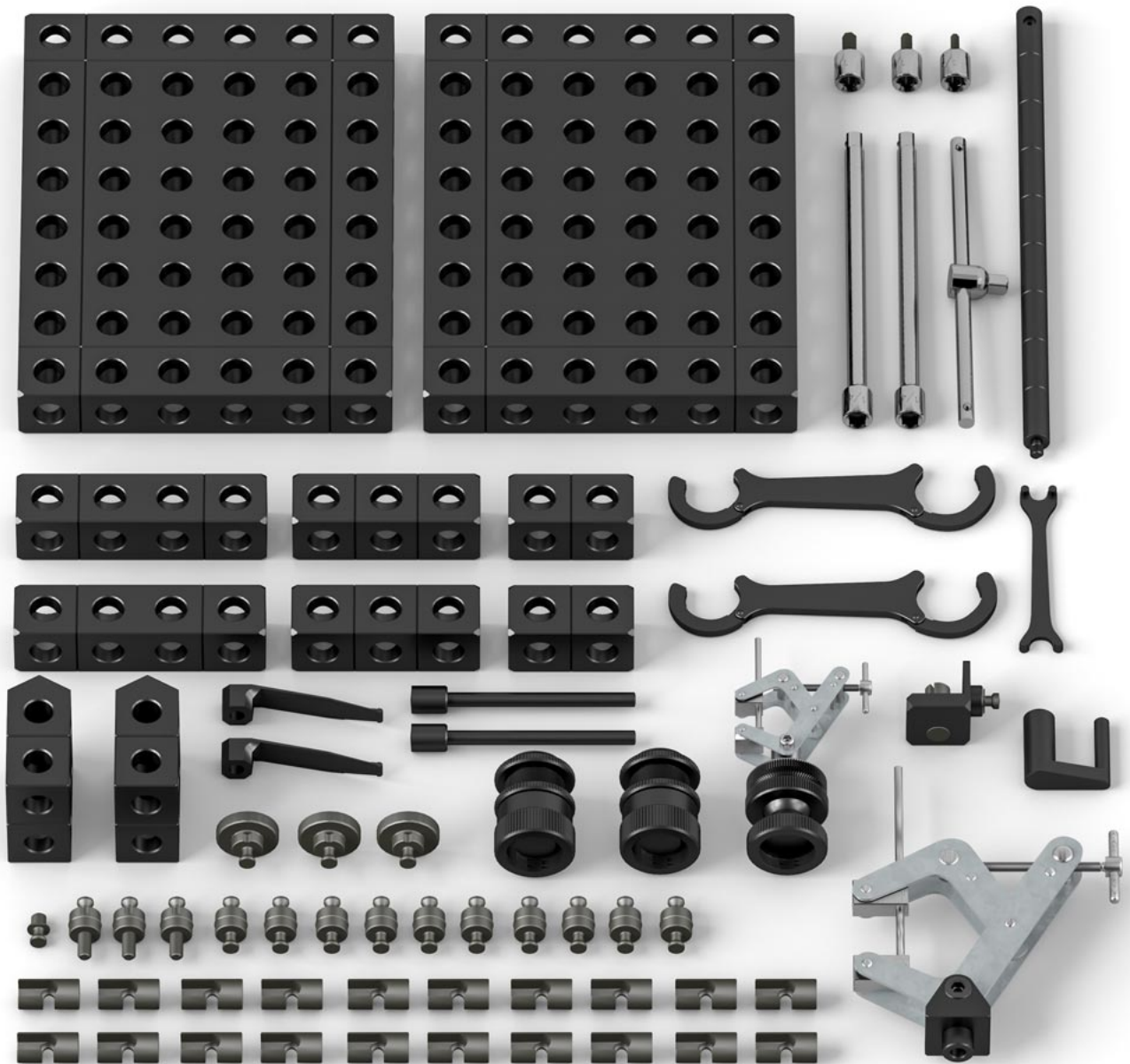
Nr.	Pcs.	Name
81792-1	1	Vise set
21374-1	2	Bar 25x25x75
25743	4	Combi-Bolt
23240	4	Lock ALUFIX



#90271-1 Basic Set
Alufix 16, medium (75-pcs), 2,3 kg

Nr.	Qty.	Name
21573-1	1	Base plate 16x96x160
21586-1	2	Bar 16x16x80
21584-1	2	Bar 16x16x48
22173-1	2	V Block 90°
82672	1	Quick connector set (36-pcs)
81492	1	Tools (5-pcs)
82139-1	3	Screw-jack h38-50
23252	1	Bolt disk with stud
21670-1	1	Universal plate

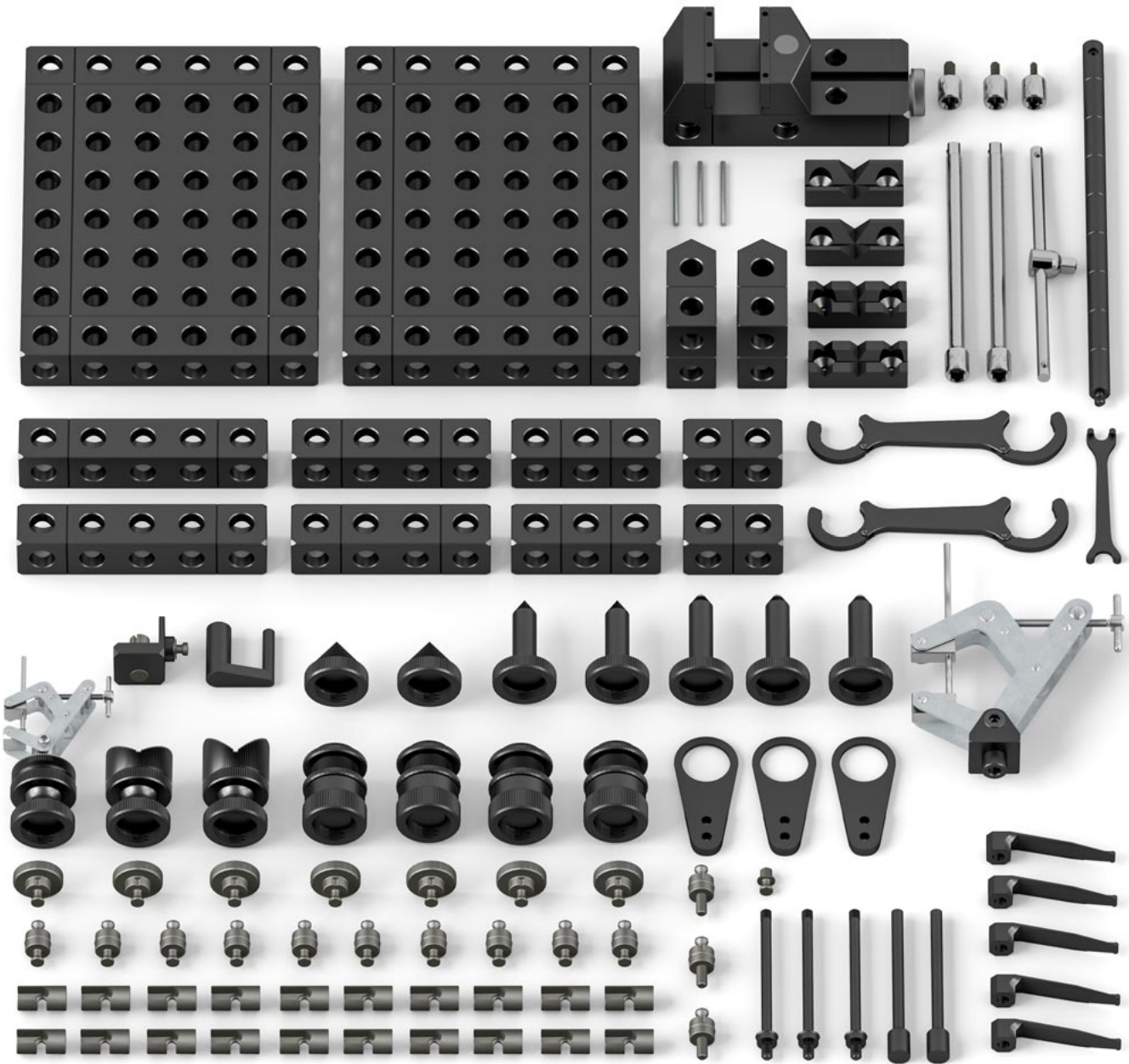
Nr.	Qty.	Name
21646	1	Center, long
80584-1	2	Center with ball
21988-1	2	V piece 120°
80925-1	1	Screw clamp w ball joint
80742-1	1	Winder
22274-1	1	Deflector
20244-1	2	Hold down spring
20338-1	2	Hold down stud
81790-1	1	Vise set with flat and V jaws (10-pcs)



#90274-1 Basic Set 1
 Alufix 25 (67-pcs), 4,5 kg

Nr.	Qty.	Name
21352-1	2	Base plate 25x150x200
21373-1	2	Bar 25x25x50
21374-1	2	Bar 25x25x75
21375-1	2	Bar 25x25x100
22256-1	2	Delta block 120° Form 3
82673	1	Quick connector set (36 pcs)
21500	1	Bolt, shortened for thread
81493	1	Tools (10 pcs)

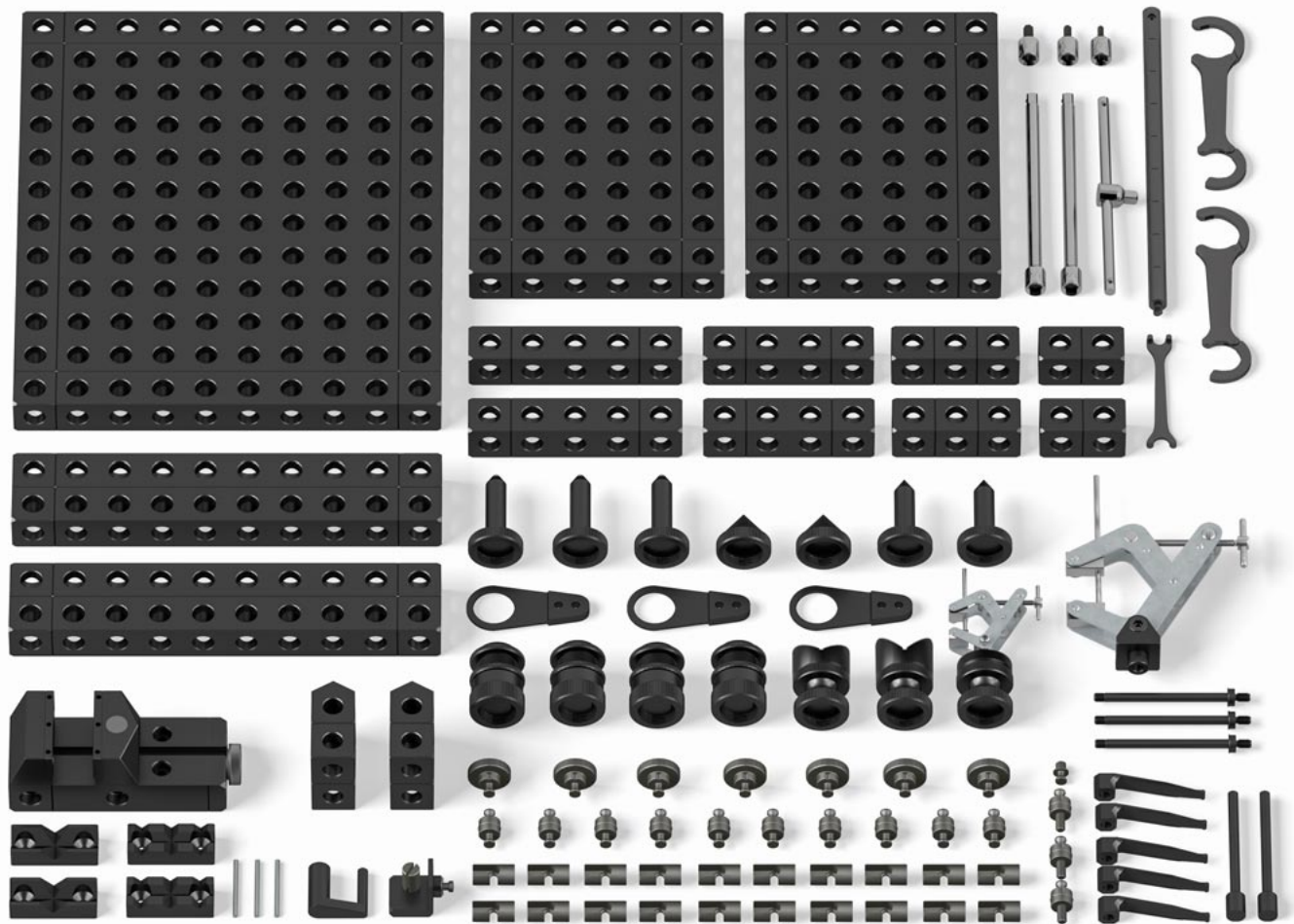
Nr.	Qty.	Name
82139-1	2	Screw-jack h38-50
80925-1	1	Screw clamp with ball joint
80924-1	1	Screw clamp with joint
22258-1	2	Hold down spring
22260-1	2	Hold down stud
80743-1	1	Winder
22275-1	1	Deflector



#90275-1 Basic Set 2
Alufix 25 (103-pcs), 5,9kg

Nr.	Qty.	Name
21352-1	2	Base plate 25x150x200
21373-1	2	Bar 25x25x50
21374-1	2	Bar 25x25x75
21375-1	2	Bar 25x25x100
21376-1	2	Bar 25x25x125
22256-1	2	Delta block 120° Form 3
82673	1	Quick connector set (36 pcs)
21500	1	Bolt, shortened for thread
81493	1	Tools (10 pcs)
82139-1	4	Screw-jack h38-50
23239	4	Bolt disk with stud
80924-1	1	Screw clamp with joint
21644	2	Center

Nr.	Qty.	Name
21646	2	Center
80584-1	3	Center with ball
80733-1	1	V piece 120° with ball joint
80725-1	1	V piece 90° with ball joint
80925-1	1	Screw clamp with ball joint
81791-1	1	Vise Set 50mm (10 pcs)
22258-1	5	Hold down spring
22260-1	2	Hold down stud
22263-1	3	Hold down stud with thread
22268-1	3	Traverse holder with heel
80743-1	1	Winder
22275-1	1	Deflector



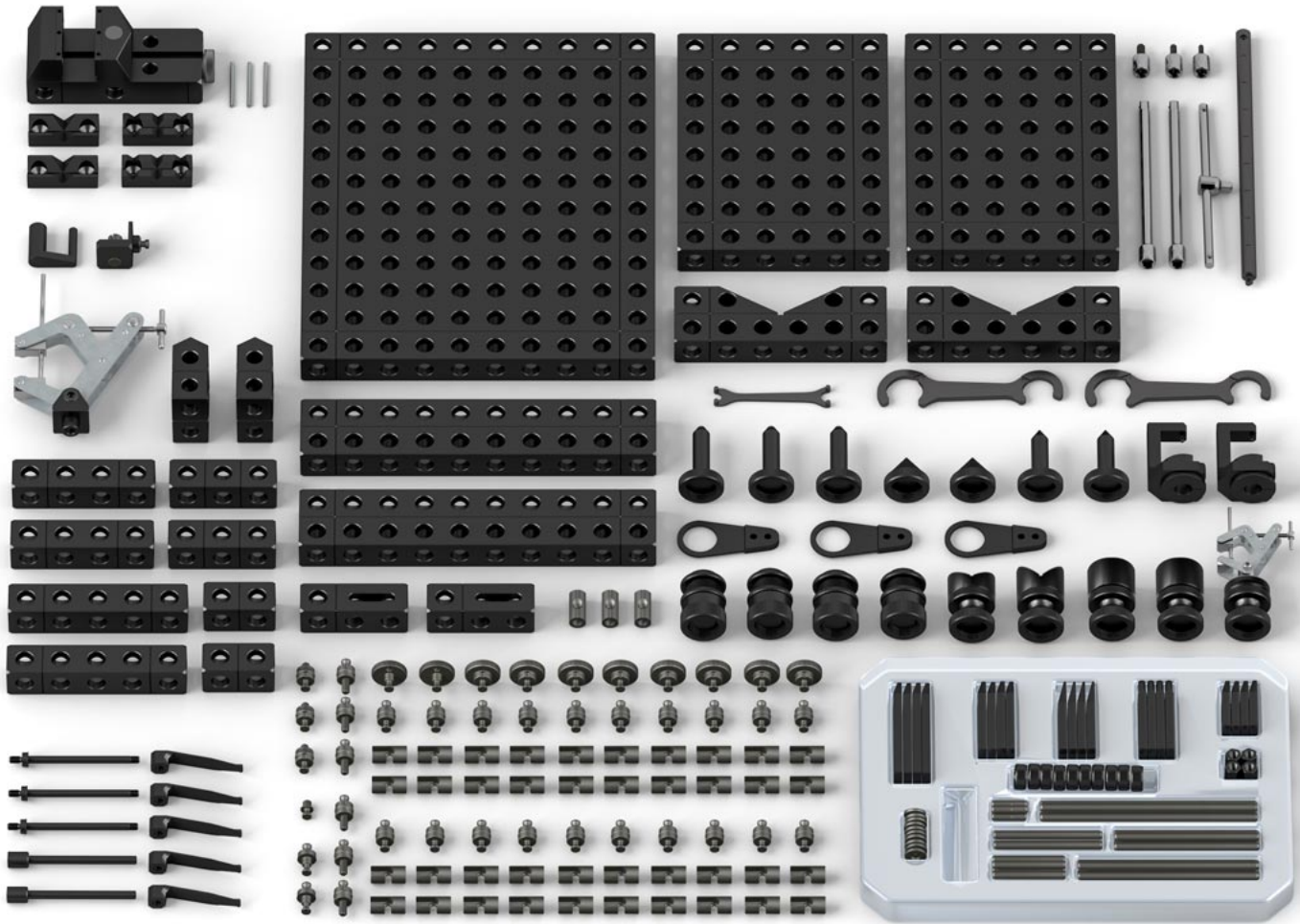
#90276-1 Basic Set 3
Alufix 25 (105-pcs), 12,6 kg

Nr.	Qty.	Name
21360-1	1	Base plate 25x250x300
22885-1	2	Base plate 25x50x250
21352-1	2	Base plate 25x150x200
21373-1	2	Bar 25x25x50
21374-1	2	Bar 25x25x75
21375-1	2	Bar 25x25x100
21376-1	2	Bar 25x25x125
22256-1	2	Delta block 120° Form 3
82673	1	Quick connector set (36 pcs)
21500	1	Bolt, shortened for thread
81493	1	Tools (10 pcs)
82139-1	4	Screw-jack h38-50
23239	1	Bolt disk
80925-1	2	Screw clamp with ball joint

Nr.	Qty.	Name
21644	2	Center, short
21646	2	Center, long
80733-1	1	V piece 120° with ball joint
80725-1	1	V piece 90° with ball joint
81791-1	1	Vise Set 50mm (10 pcs)
22258-1	5	Hold down spring
22260-1	2	Hold down stud
22263-1	3	Hold down stud with thread
22268-1	3	Traverse holder with heel
80743-1	1	Winder
22275-1	1	Deflector
80924-1	1	Screw clamp with joint
80584-1	3	Center with Ball D6/M24
12584	1	Storage case



Aluminium case #12584,
without inlays,
version may be different to case shown,
included in supply free of charge



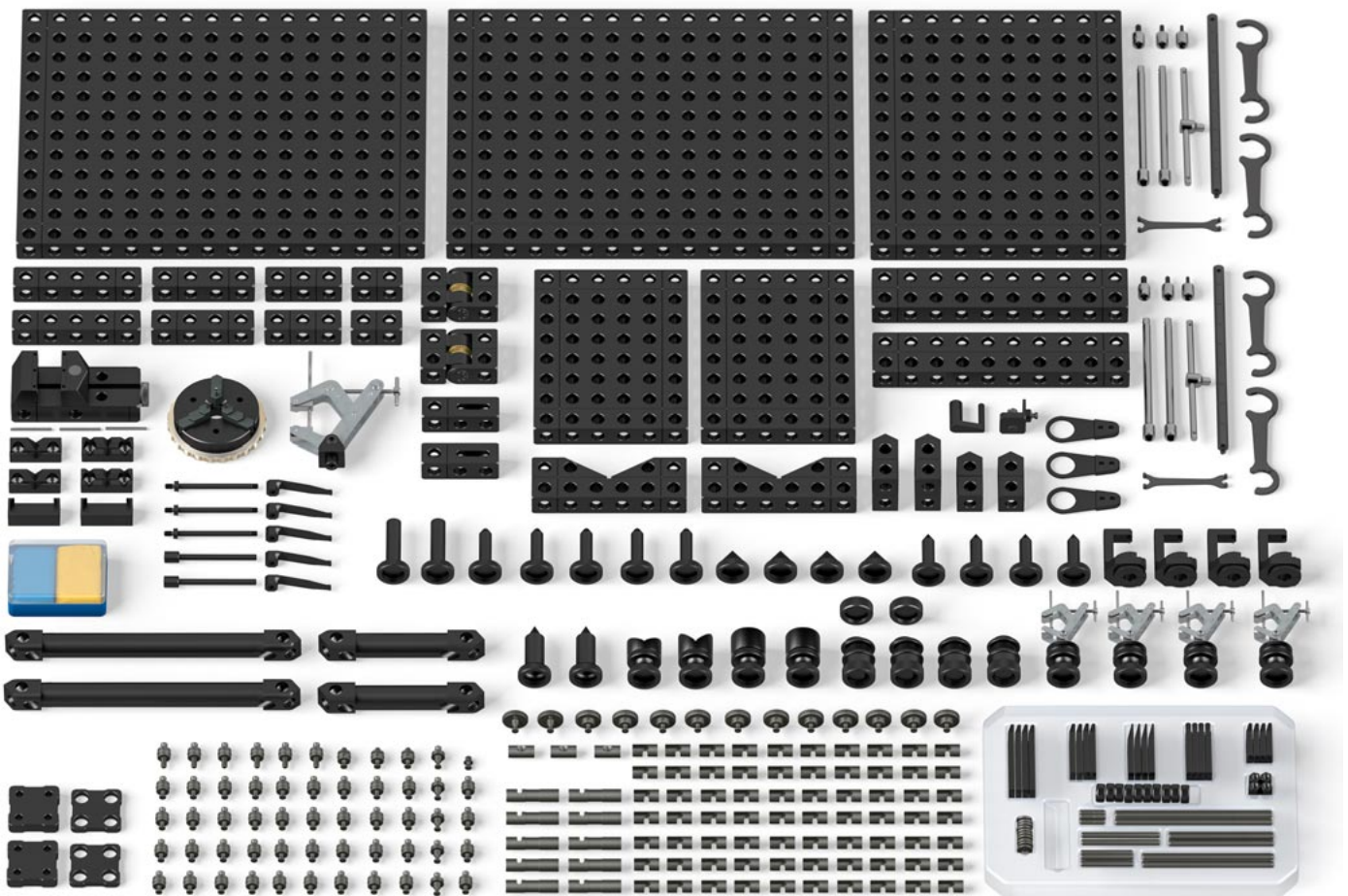
#90277-1 Basic Set 4
Alufix 25 (228-pcs), 15,5kg

Nr.	Qty.	Name
21360-1	1	Base plate 25x250x300
21352-1	2	Base plate 25x150x200
22885-1	2	Base plate 25x50x250
21376-1	2	Bar 25x25x125
21375-1	2	Bar 25x25x100
21374-1	2	Bar 25x25x75
21373-1	2	Bar 25x25x50
23233-1	2	Bar 1D
21987-1	2	V block 120°
22256-1	2	Delta block 120° Form 3
82673	2	Quick connector set (36-pcs)
21500	1	Bolt, shortened for thread
25654	3	Bolt f. grid plate + keyless chuck
23228	2	Twin bolt for bar 1D/2D
23241	2	Bolt disk
80531-1	3	Crosspiece nut
81493	1	Tools (10-pcs)
82139-1	4	Screw-jack h38-50
23239	1	Bolt disk

Nr.	Qty.	Name
21644	2	Center, short
21646	2	Center, long
80584-1	3	Center with ball
80941-1	2	Magnetic holder with ball joint
80733-1	1	V piece 120° with ball joint
80725-1	1	V piece 90° with ball joint
81111-1	2	C clamp adjustable
80925-1	1	Screw clamp with ball joint
81791-1	1	Vise Set 50mm (10-pcs)
82080-1	1	3 jaw keyless chuck compl. ø80
22258-1	5	Hold down spring
22260-1	2	Hold down stud
22263-1	3	Hold down stud with thread
22268-1	3	Traverse holder with heel
80743-1	1	Winder
22275-1	1	Deflector
80924-1	1	Screw clamp with joint
81020	1	Clamp Set 9 M6S (69-pcs)
12584	1	Storage case



Aluminium case #12584, without inlays, version may be different to case shown, included in supply free of charge

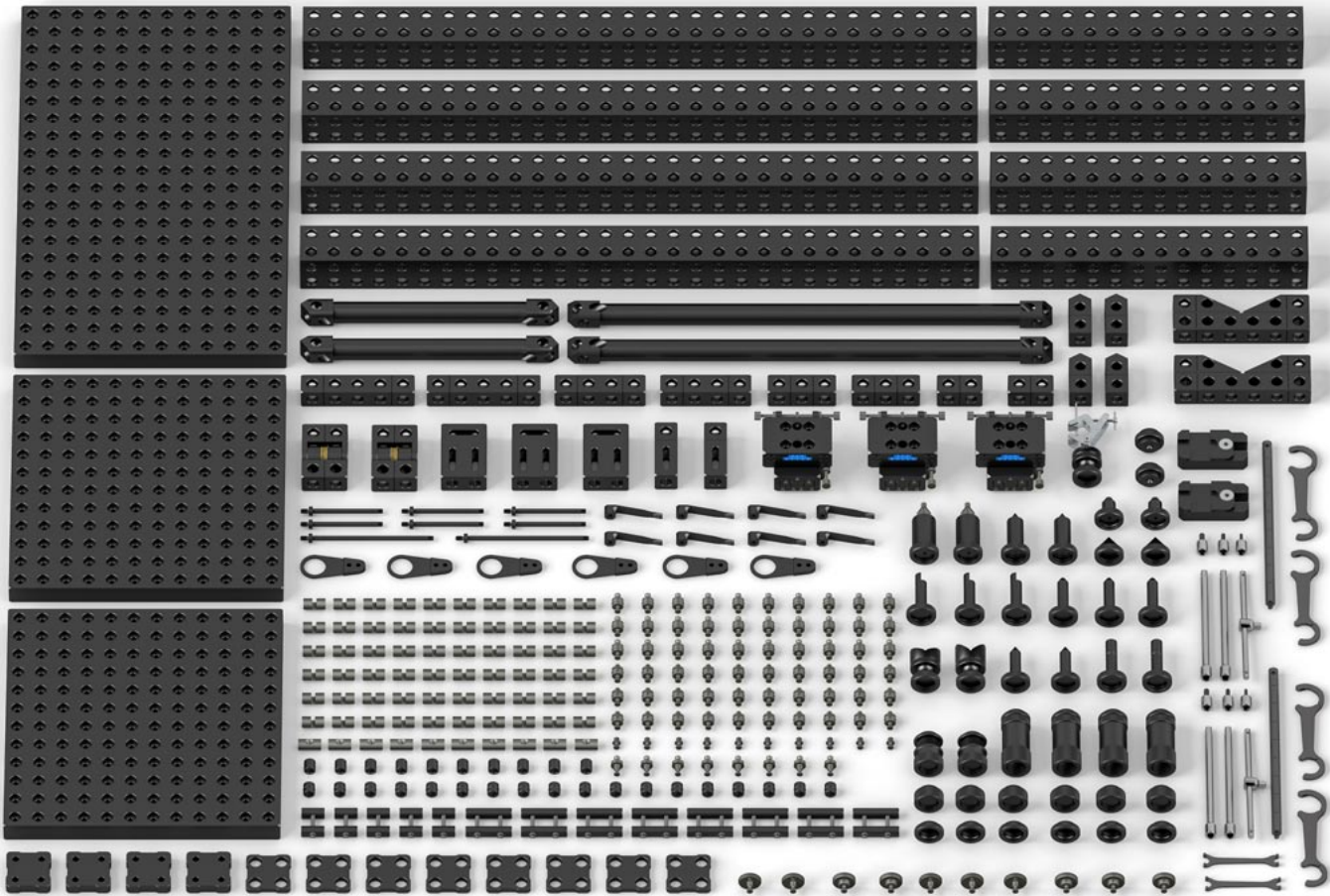


#90278-1 Basic Set 5

Alufix 25 (344-pcs), 29,3 kg

Nr.	Qty.	Name
21361-1	2	Base plate 25x300x400
21360-1	1	Base plate 25x250x300
21352-1	2	Base plate 25x150x200
22885-1	2	Base plate 25x50x250
21376-1	2	Bar 25x25x125
21375-1	2	Bar 25x25x100
21374-1	2	Bar 25x25x75
21373-1	2	Bar 25x25x50
81443-1	2	Strut 25x25x125
81444-1	2	Strut 25x25x250
23233-1	2	Bar 1D
81028-1	2	Double knuckle
21987-1	2	V block 120°
22256-1	2	Delta block 120° Form 3
22253-1	2	Delta block 120° Form 2
81285-1	1	Quick connector set (70-pcs)
82673-1	2	Quick connector set (36-pcs)
80531-1	3	Crosspiece nut
23228	2	Bolt for bar 1D/2D
25654	3	Bolt f. grid plate + keyless chuck
21500	1	Combi bolt, shortened with thread
81493	2	Tools (10-pcs)
82139-1	4	Screw-jack h38-50
23239	1	Bolt disk
23241	2	Bolt disk

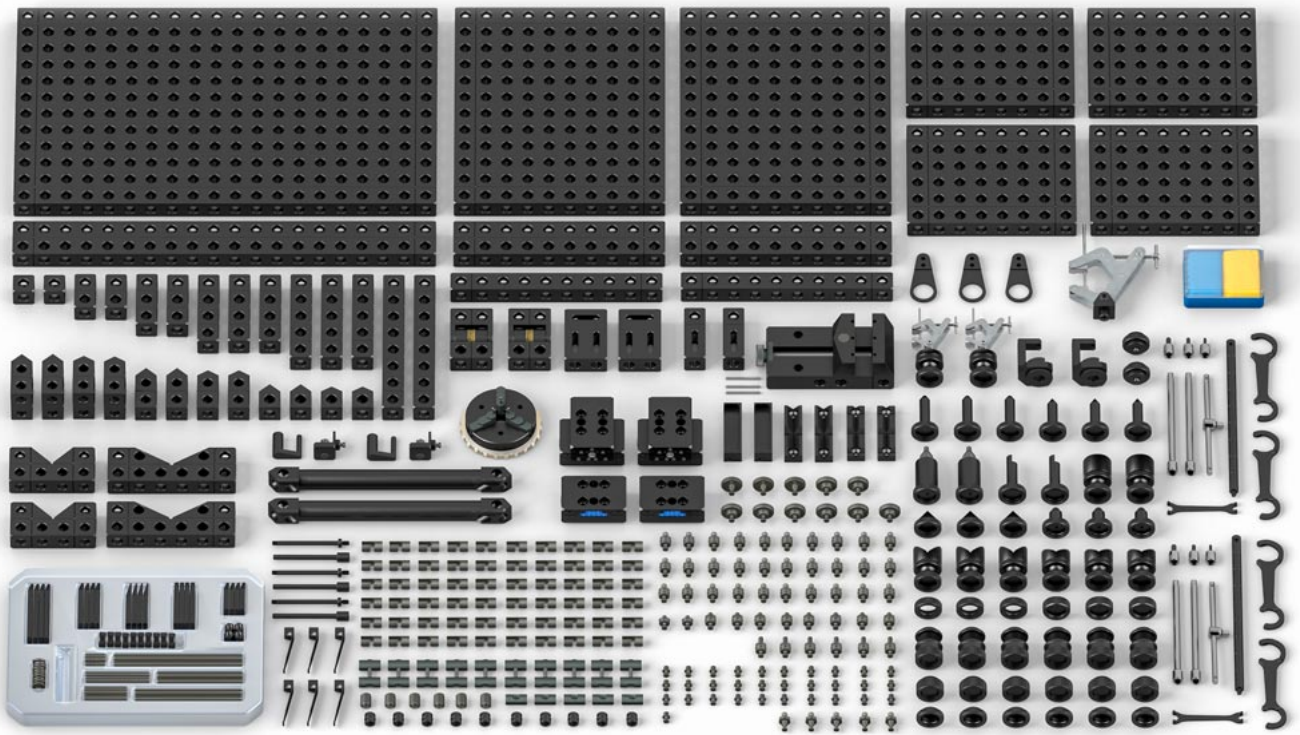
Nr.	Qty.	Name
21644	4	Center, short
21646	4	Center, long
80584-1	5	Center with ball
80733-1	1	V piece 120° with ball joint
80725-1	1	V piece 90° with ball joint
80661 -1	2	True line stud
80941-1	2	Magnetic holder with ball joint
81212-1	2	Autocenter
81111-1	4	C clamp adjustable
80925-1	4	Screw clamp with ball joint
22005-1	2	Moulding cap
81791-1	1	Vise Set 50mm (10 pcs)
80685	1	Compound resin 400g
81832-1	2	Forming jaw with bushes (3 pcs)
82080-1	1	3 jaw keyless chuck compl. ø80
22258-1	5	Hold down spring
22260-1	2	Hold down stud
22263-1	3	Hold down stud with thread
22268-1	3	Traverse holder for stud
80743-1	1	Winder
22275-1	1	Deflector
80924-1	1	Screw clamp with joint
80604-1	2	Base for screw clamp
81020	1	Clamp Set 9 M6S (69 pcs)
12584	1	Storage case



#98156-1 Basic Set 6
Alufix 25 (372-pcs), 50 kg

Nr.	Qty.	Name
33502-1	1	Base plate 25x300x500
56492-1	2	Base plate 25x300x300
21373-1	4	Bar 25x25x50
21374-1	4	Bar 25x25x75
21375-1	4	Bar 25x25x100
21376-1	4	Bar 25x25x125
25B0750-1	4	Bar 50x50x750 ECO Plus
25B0350-1	4	Bar 50x50x350 ECO Plus
23225-E1	8	Coupling 50x50 single eco
23330-E1	4	Coupling 50x50 double eco
23233-1	2	Bar 25x25x75 1D
23232-1	3	Base plate 2D 25x50x75
81028-1	2	Double knuckle
82437-1	3	Cross guiding slide, with stop
81444-1	2	Strut 250
81327-1	2	Strut 500
21987-1	2	V-Block 120° 25x50x150
22253-1	4	Deltablock 120° Form2
23240	60	Lock SW5
23223	30	Twin bolt
25743	30	Combi bolt shortened
21500	10	Combi bolt shortened with thread
23228	8	Twin bolt for Bar 1D/2D
21386-1	10	Positioning sleeve ø12,5
81493	2	Tool (10pcs)
21385-1	10	Positioning sleeve ø12,5

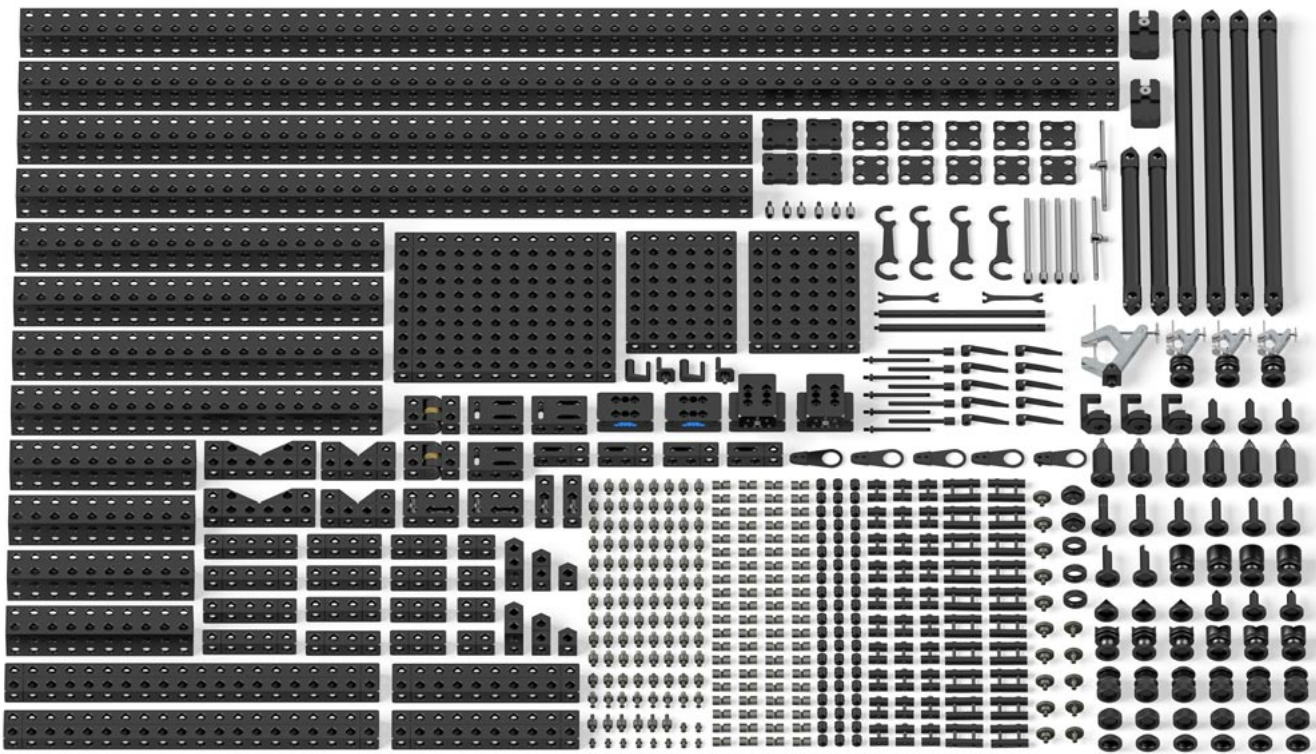
Nr.	Qty.	Name
23241	5	Bolt disk ø6,7/M24
80701	10	Connector Set M6/25
82139-1	2	Screw-jack h=38/50 M24X1
82033-1	4	Screw-jack h=70/105 M24X1
20628-1	6	Screw-jack extension 6/M24x1
23286-1	6	Screw-jack extension 12/M24x1
23239	5	Bolt Disk with stud ø12,5/M24
21644	2	Center ø32/M24
21646	2	Center, ø12,5/M24 50 long
94543-1	2	Autocenter, star shaped, M24x1
95532-1	2	Autocenter, star shaped, M24x1
81112	3	Stop and support 180°
81113	2	Stop and support 90°
80531-1	10	Nut M6/25
80585-1	3	Center w. ball ø8/M24
80733-1	2	V Block 120° with ball joint
80590-1	2	True line stud ø15/M24/32,6
22647-1	2	Crossover male/male M24x1
93443-1	8	Hold down spring f.sens. surfaces
22263-1	6	Hold down stud with thread
24885-1	2	Hold down stud with thread
22268-1	6	Traverse holder with heel 6/60
80743-1	1	Winder
22275-1	1	Deflector
80924-1	1	Screw clamp with ball joint
82233-1	8	Connector Set M6/50



#82689-1 Basic Set 7
Alufix 25 (436-pcs), 54 kg

Nr.	Qty.	Name
22885-1	2	Base plate 25x50x250
21707-1	1	Base plate 25x50x500
21360-1	2	Base plate 25x250x300
21352-1	4	Base plate 25x150x200
21362-1	1	Base plate 25x300x500
21372-1	2	Bar 25x25x25
21373-1	2	Bar 25x25x50
21374-1	2	Bar 25x25x75
21375-1	3	Bar 25x25x100
21376-1	3	Bar 25x25x125
22963-1	2	Bar 25x25x200
22882-1	2	Bar 25x25x250
23233-1	2	Bar 1D
23232-1	2	Base plate 2D
81028-1	2	Double knuckle
82172-1	2	Roller slide
82462-1	2	Cross roller slide
81444-1	2	Strut 25x25x250
21992-1	2	V block 90°
21987-1	2	V block 120°
22235-1	2	Delta block 90° Form 1
22177-1	2	Delta block 90° Form 2
22174-1	2	Delta block 90° Form 3
22241-1	2	Delta block 120° Form 1
22253-1	2	Delta block 120° Form 2
22256-1	2	Delta block 120° Form 3
23240	60	Lock
23223	30	Twin bolt
21500	31	Combi bolt, shortened with thread
25654	2	Twin bolt for grid base plate
23225	6	Combi bolt
23228	5	Twin bolt for bar 1D
25743	8	Combi bolt shortened
81493	2	Tools (10 pcs)

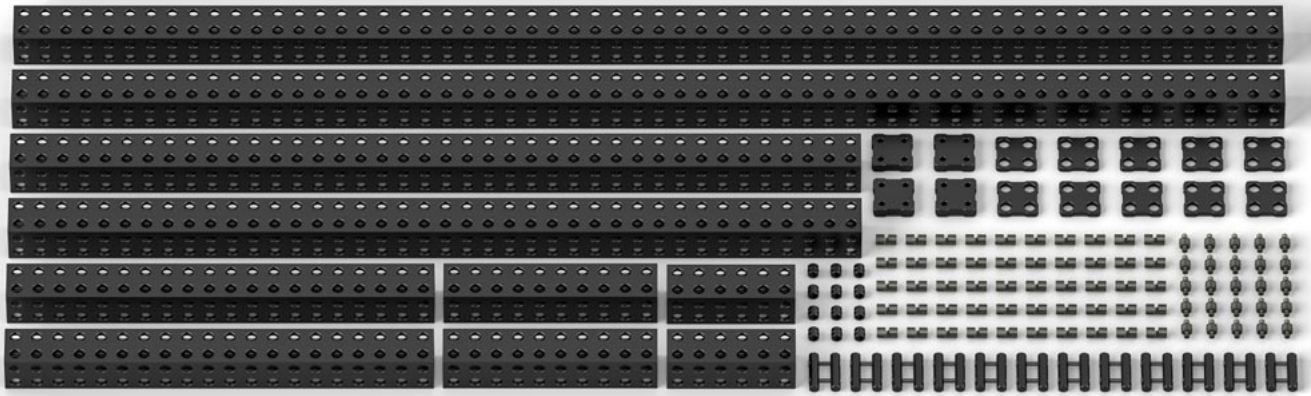
Nr.	Qty.	Name
21385-1	10	Positioning sleeves
21869	6	Reducer bush
21714-1	5	Crosspiece nut
80701-1	10	Connecting set
82139-1	6	Screw-jack h38-50
20628-1	6	Screw-jack extension 6mm
23286-1	6	Screw-jack extension 12mm
23239	8	Bolt disk
23241	3	Bolt disk
21644	3	Center, short
21646	3	Center, long
80584-1	3	Center with ball
80733-1	3	V piece 120° with ball joint
80725-1	3	V block 90° with ball joint
80590-1	3	True line stud
80941-1	2	Magnetic holder with ball joint
81212-1	2	Autocenter
81112	2	Stop and support 180°
81111-1	2	C clamp adjustable
22644-1	3	Spacer
80925-1	2	Screw clamp with ball joint
22647-1	2	Cross over male/male
81792-1	1	Vise Set 75mm (10 pcs)
81833-1	2	Forming jaw with bushes (3 pcs)
80685	1	Compound resin 400g
82080-1	1	3 jaw keyless chuck compl. ø80
22258-1	6	Hold down spring
22260-1	3	Hold down stud
22263-1	3	Hold down stud with thread
81020	1	Clamp set 9 M6S (69 Pcs.)
80924-1	1	Screw clamp 50 with joint
22268-1	3	Traverse holder with M6 heel
80743-1	2	Winder
22275-1	2	Deflector



#90281-1 Basic Set 9
Alufix 25 (594-pcs), 44 kg

Nr.	Qty.	Name
21360-1	1	Base plate 25x250x300
21352-1	2	Base plate 25x150x200
22885-1	2	Base plate 25x50x250
21707-1	2	Base plate 25x50x500
21373-1	4	Bar 25x25x50
21374-1	4	Bar 25x25x75
21375-1	4	Bar 25x25x100
21376-1	4	Bar 25x25x125
25B0250-1	4	Bar ECO Plus 50x50x250
25B0500-1	4	Bar ECO Plus50x50x500
25B1000-1	2	Bar ECO Plus50x50x1000
25B1500-1	2	Bar ECO Plus50x50x1500
23325-E1	10	Coupling eco, single
23330-E1	4	Coupling eco, double
23233-1	4	Bar 1D
81021-1	2	Bar with 1 offset unit
23232-1	3	Base plate 2D
81023-1	2	Base plate with 2 offset units
81028-1	2	Double knuckle
82172-1	2	Roller slide
82462-1	2	Cross roller slide
81444-1	2	Strut 25x25x250
81327-1	4	Strut 25x25x500
21992-1	2	V Block 90°
21987-1	2	V Block 120°
22241-1	2	Delta block 120° Form 1
22253-1	2	Delta block 120° Form 2
22256-1	2	Delta block 120° Form 3
23240	80	Lock
23225	6	Kombi bolt M6
23228	10	Twin bolt for bar 1D
23223	40	Twin bolt
21500	10	Combi bolt, shortened with thread

Nr.	Qty.	Name
25743	8	Combi bolt shortened
81493	2	Tools (10-pcs)
21385-1	40	Positioning sleeves
80701-1	30	Connector Set M6/25
82139-1	6	Screw-jack h38-50
20628-1	6	Screw-jack extension 6mm
23286-1	6	Screw-jack extension 12mm
23239	10	Bolt disk
23241	5	Bolt disk
21644	3	Center, short
21646	3	Center, long 50
21648	2	Center, long 70
80584-1	4	Center with ball
80733-1	3	V Block 120° with ball joint
80927-1	3	Knife V 120° with ball joint
80941-1	4	Magnetic holder with ball joint
81212-1	3	Autocenter
82252-1	3	Autocenter
81112	2	Stop and support 180°
81113	2	Stop and support 90°
81111-1	3	C clamp adjustable
80925-1	3	Screw clamp with ball joint
22644-1	3	Spacer
22647-1	2	Cross over male/male
22258-1	10	Hold down spring
22260-1	5	Hold down stud
22263-1	5	Hold down stud with thread
22268-1	5	Traverse holder for stud
80743-1	2	Winder
22275-1	2	Deflector
80924-1	1	Screw clamp with joint
80604-1	2	Base for toggle clamp
82233-1	20	Connector Set M6/50

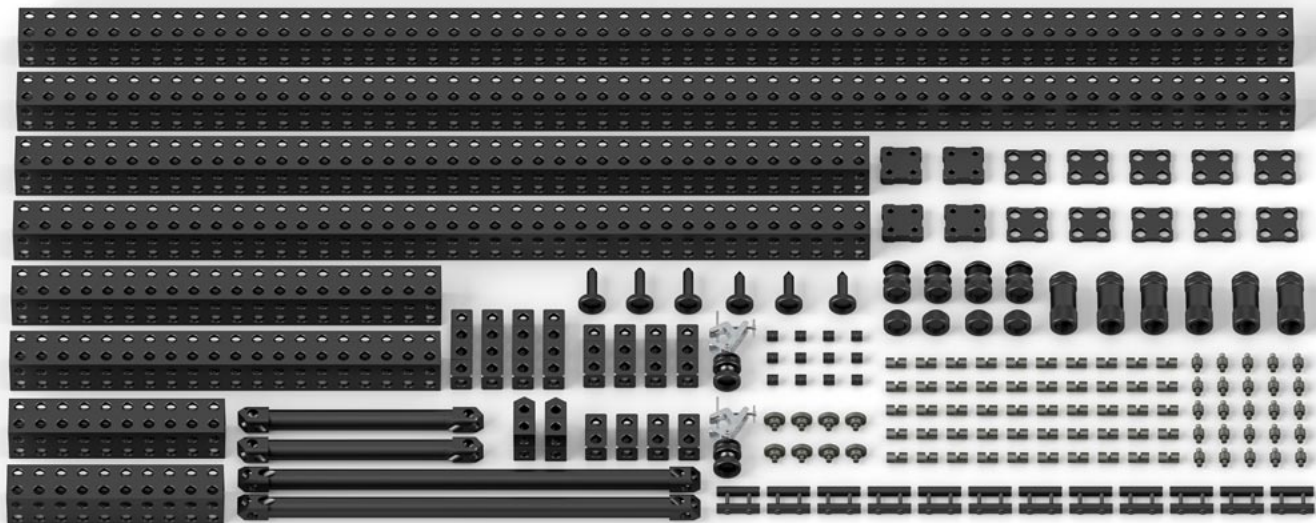


#90283-1 Extension Set 1

Alufix 25 Light (157-pcs), 17,3 kg

Nr.	Qty.	Name
25B0150-1	2	Bar ECO Plus 50x50x150
25B0250-1	2	Bar ECO Plus 50x50x250
25B0500-1	2	Bar ECO Plus 50x50x500
25B1000-1	2	Bar ECO Plus 50x50x1000
25B1500-1	2	Bar ECO Plus 50x50x1500
23330-E1	4	Coupling, eco double

Nr.	Qty.	Name
23325-E1	8	Coupling, eco single
23240	50	Lock
23223	25	Twin bolt
82233-1	12	Connector Set M6/50
21385-1	12	Positioning sleeve 12,5

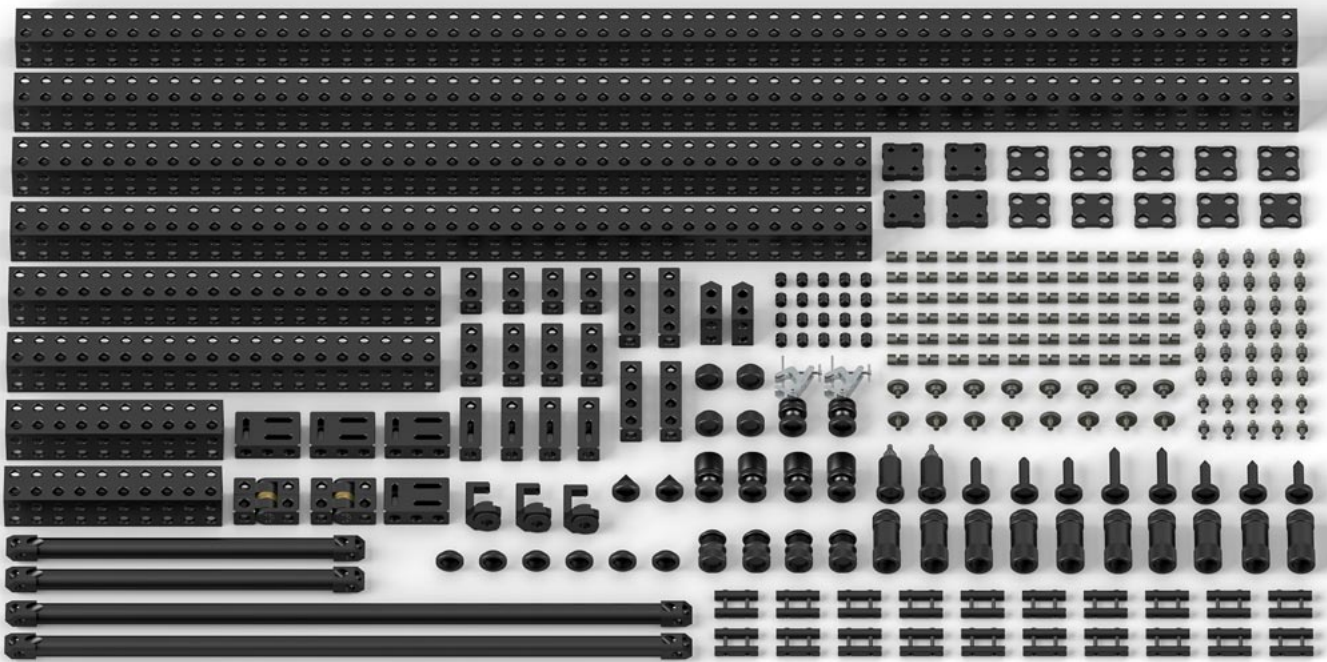


#90284-1 Extension Set 2

Alufix 25 Light (203-pcs), 21,3 kg

Nr.	Qty.	Name
21373-1	4	Bar 25x25x50
21374-1	4	Bar 25x25x75
21375-1	4	Bar 25x25x100
25B0250-1	2	Bar ECO Plus 50x50x250
25B0500-1	2	Bar ECO Plus 50x50x500
25B1000-1	2	Bar ECO Plus 50x50x1000
25B1500-1	2	Bar ECO Plus 50x50x1500
23330-E1	4	Coupling, eco double
23325-E1	8	Coupling, eco single
81444-1	2	Strut 25x25x250
81327-1	2	Strut 25x25x500
22256-1	2	Deltablock 120° Form 3

Nr.	Qty.	Name
23240	50	Lock
23223	25	Twin bolt
82139-1	4	Screw-jack h 38-50
82033-1	6	Screw-jack h 70-105
23286-1	4	Screw-jack extension 12 mm
23239	8	Boöt disk
21646	3	Center
80584-1	3	Center with ball
80925	2	Screw clamp with ball joint
82233-1	12	Connector Set M6/50
21385-1	12	Positioning sleeve 12,5



#90285-1 Extension Set 3

Alufix 25 Light (309-pcs), 25,2 kg

Nr.	Qty.	Name	Nr.	Qty.	Name
21373-1	4	Bar 25x25x50	23228	10	Twin bolt for bar 1D
21374-1	4	Bar 25x25x75	82139-1	4	Screw-jack h38-50
21375-1	4	Bar 25x25x100	82033-1	10	Screw-jack h70-105
25B0250-1	2	Bar ECO Plus 50x50x250	20628-1	6	Screw-jack extension 6mm
25B0500-1	2	Bar ECO Plus 50x50x500	23286-1	4	Screw-jack extension 12mm
25B1000-1	2	Bar ECO Plus 50x50x1000	23239	8	Bolt disk
25B1500-1	2	Bar ECO Plus 50x50x1500	23241	8	Bolt disk
23330-E1	4	Coupling ,eco double	21644	2	Center, short
23325-E1	8	Coupling ,eco single	21646	3	Center, long 50
23233-1	4	Bar 1D	21648	2	Center, long 70
23232-1	4	Base plate 2D	80584-1	3	Center with ball
81028-1	2	Double knuckle	80941-1	4	Magnetic holder with ball joint
81445-1	2	Strut 25x25x375	82252-1	2	Autocenter
81329-1	2	Strut 25x25x750	81111-1	3	C clamp adjustable
22256-1	2	Delta block 120° Form 3	80925-1	2	Screw clamp with ball joint
23240	60	Lock	82233-1	12	Connector Set M6/50
23223	30	Twin bolt	21385-1	12	Positioning sleeve 12,5



Workstation, metal, lockable
with drawers, suitable for Basic Sets 6 and 7

Nr.	Width	Height	Depth	Kg.
282562	570	780	960	85

Storage of Alufix components in 6 clearly laid out, spacious and fully extendable drawers, also suitable for Alufix 40 Bars 80x80. Two top drawers are equipped with inlays for small components. Lower drawers equipped with non-slip mats.

Load capacity per drawer 75 kg.



Workstation, metal, lockable
with drawers and storage compartment, suitable
for Basic Set 9 and extension sets

Nr.	Width	Height	Depth	Kg.
282727	570	780	1030	88

Storage of Alufix components in 6 clearly laid out, spacious and fully extendable drawers, also suitable for Alufix 40 Bars 80x80. Additional storage compartment mounted at rear for safe storage of long bars and profiles 50x50.

Two top drawers are equipped with inlays for small components. Lower drawers equipped with non-slip mats.

Load capacity per drawer 75 kg



Storage compartment for workstations
for storage of long bars 50x50

Nr.	Width	Height	Depth	Kg.
51753	480	660	68	-

Storage of long bars in 6 pockets.

Assembly on rear of workstation with M8 screws included in supply.

Hinweise zur Verpackung und Versand:

Große Sätze bilden 2 separate Verpackungseinheiten, bestehend aus Aufbewahrungsschrank sowie Quadern zusammen mit den übrigen Komponenten.

Information:

- Weights mentioned in the catalogue are non-committal and approximate, and can deviate considerably i.e. through technical changes.
- We reserve the right to make technical changes.
- Where differences between photos and parts lists exist, the parts lists are decisive.
- Due to fluctuations of copper content in aluminum - alloy colour deviations may occur during anodizing.
- All details on our products in this catalogue, especially illustrations, drawings, dimensions and statements on performance are to be regarded as approximate average values.
- We reserve the right to change design, technical data, dimensions and weights.
- The indicated standards, similar technical regulations as well as technical details, descriptions and illustrations are valid at time of printing.
- Our general trading conditions are valid.
- Our quotations are decisive.



Modulare Spannsysteme
 Systemtechnik 2018
 ALUFIX CLASSIC ALUFIX ECO FixBase® PLATTEGÜBELS
 WITTE

Modular Fixturing Systems



PROject
 Projektumsetzung im Kundenhaushalt
 Entwicklung - Fertigung - Logistik - Montage - Service
 WITTE

PROject
 Project implementation made to order




Witte FixBase®
 Katalog 2018
 Mobile Präzision im XXL-Format
 WITTE

FixBase®
 Loading systems
 Structure plates
 Automation



FIXINSPECT®
 Katalog 2018
 Mess-Adapter • Targets
 Kulissenrahmen
 WITTE

FIXINSPECT®
 Measuring accessories
 Optical / tactile systems



Vakuum SPANNSYSTEME
 Innovative Vakuum-Spannsysteme
 Hauptkatalog 2016 D06
 WITTE

Vacuum Clamping Systems

Witte: Fixed on precision whatever the means

Germany
Witte Barskamp GmbH & Co. KG
 Horndorfer Weg 26-28
 D-21354 Bleckede
 Germany
 Tel.: +49 (0)5854/89-0
 Fax: +49 (0)5854/89-40
 E-mail:
 info@witte-barskamp.de
 www.witte-barskamp.de

Asia
Witte Far East Pte Ltd
 20 Boon Lay Way # 01 - 170
 Singapore 609967
 Singapore
 Tel.: +65-6248 5961
 Fax: +65-6898 4542
 E-mail:
 info@witteasia.com
 www.witteasia.com

USA & Canada
Witte LP
 2220 Northmont Pkwy, Suite 250
 Duluth, Georgia 30096
 USA
 Phone: +1 (770) 982 99 32
 Fax: +1 (770) 982 99 28
 E-mail:
 info@witteamerica.com
 www.witteamerica.com

Mexico
Horst Witte de Mexico
S.A. de C.V., c/o Linco
 Paseo Opera 4 Int 112-2
 Lomas de Angelopolis San Andres
 Cholula, Puebla 72830, Mexico
 Phone: +52 (222)563-7929
 E-mail:
 info@wittemexico.com
 www.wittemexico.com